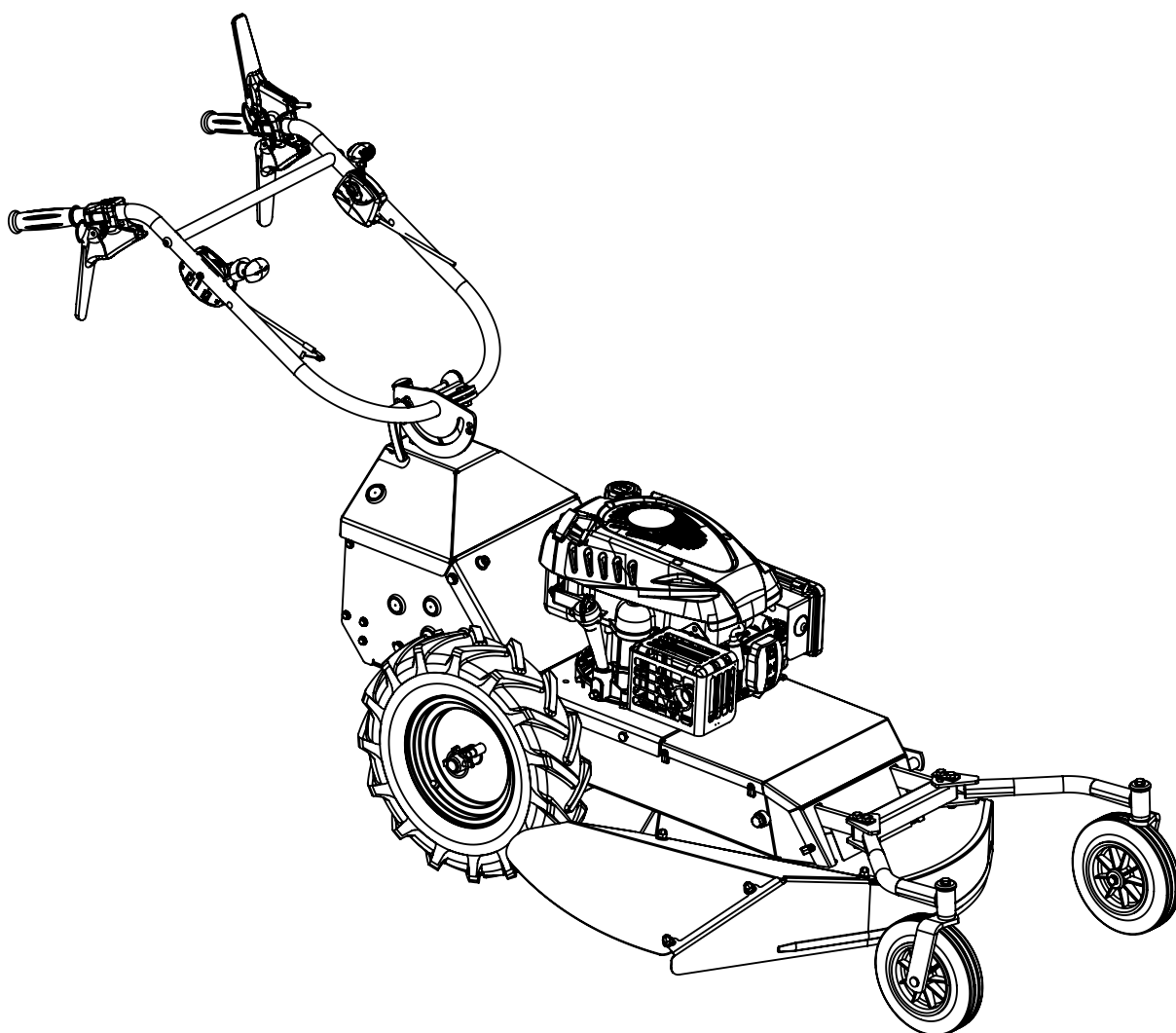
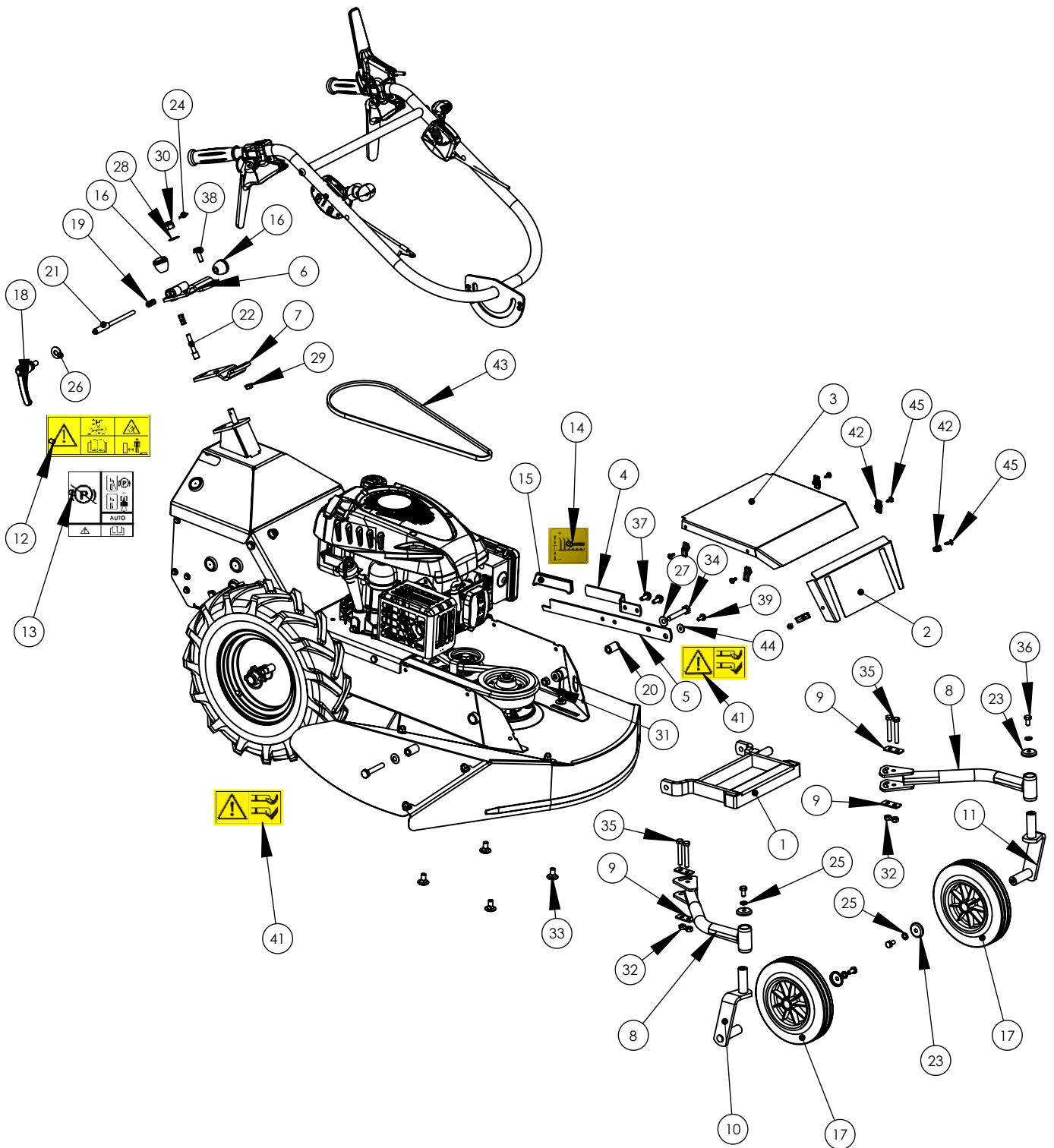


# Pièces de rechange Spare parts list

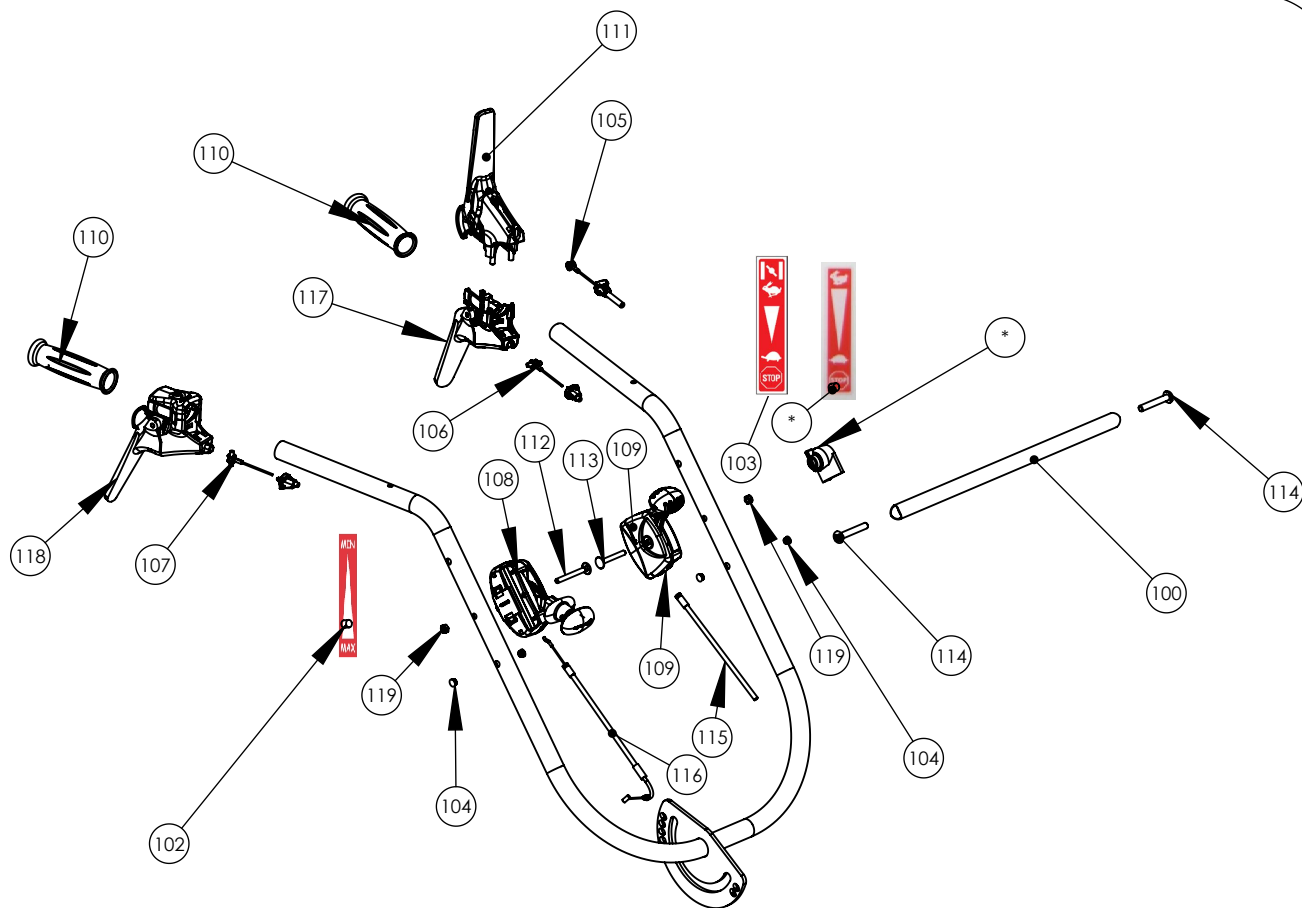
**KE00\*\*06\*\***



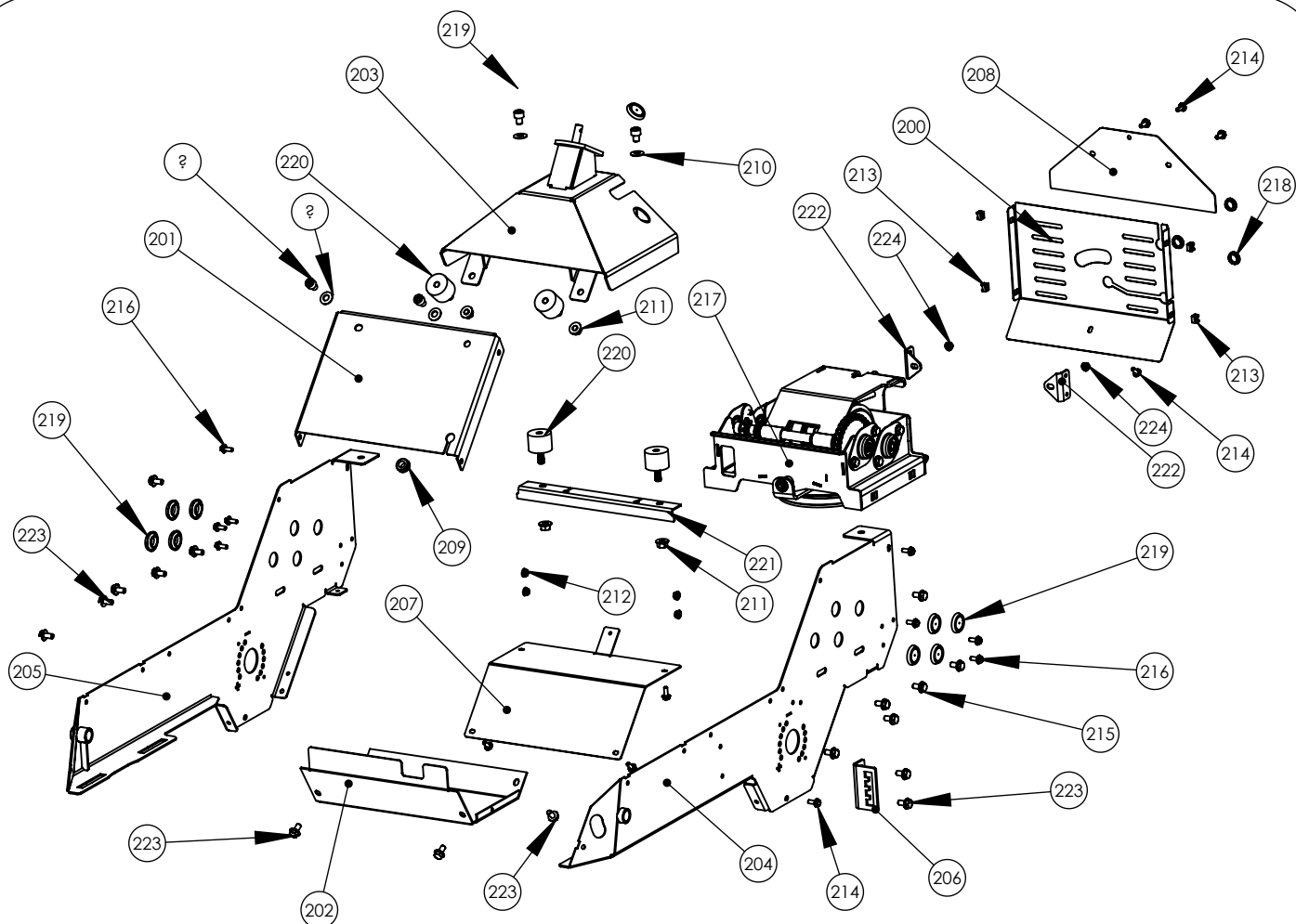
***FAUCHEUSE BROYEUSE  
BRUSH CUTTER***



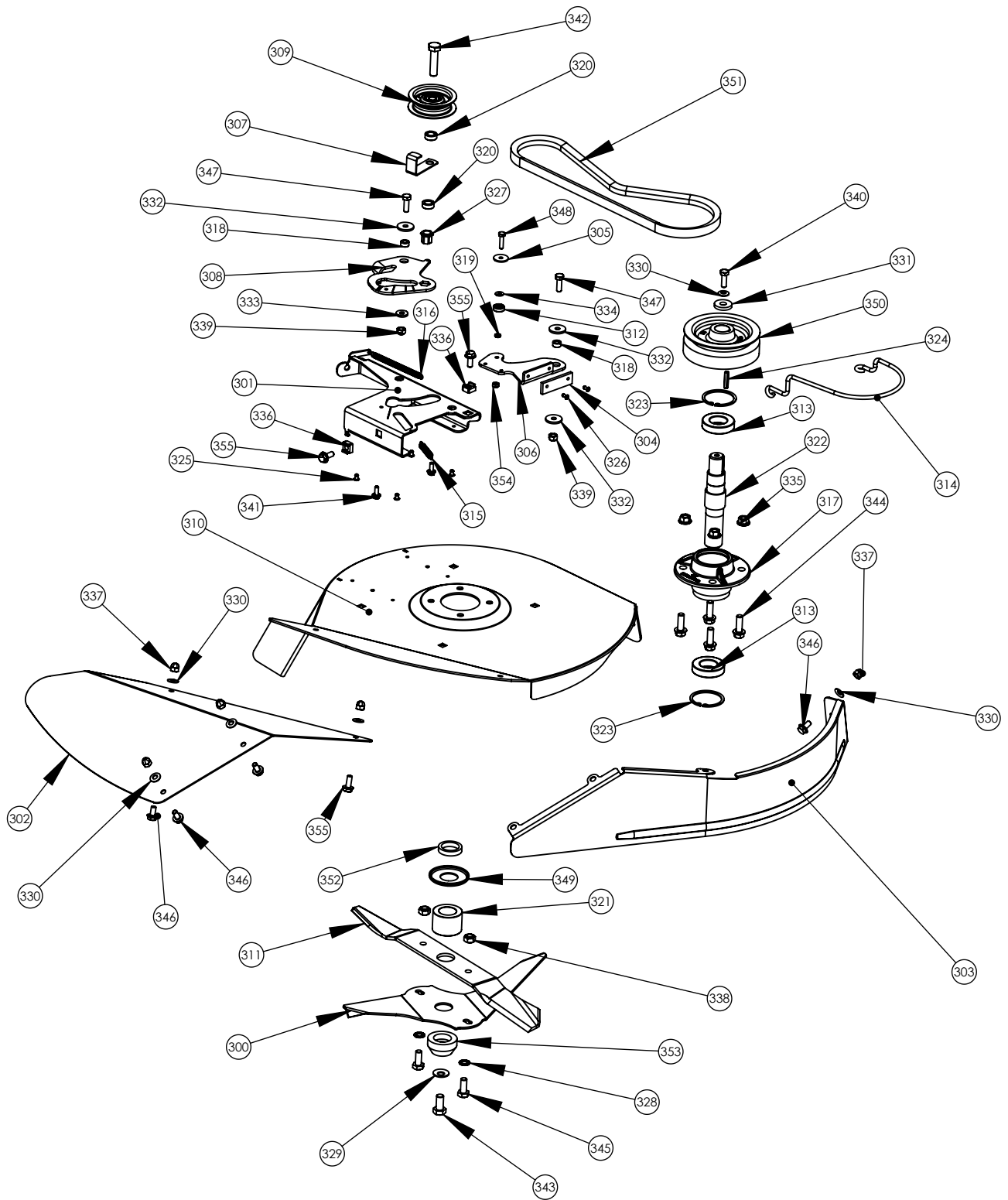
Rep N°	Ref	Désignation	Description	Qté
1	KE02061002	SUP. TRAIN AVANT GRIS ALU	ALU GREY FRONT CHASSIS	1
2	KE02060604	2 ème PARTIE CAPOT AVANT ROUGE	RED 2 e PART FRONT COVER	1
3	KE02060603	1ère PARTIE CAPOT AVANT ROUGE	RED FIRST PART FRONT COVER	1
4	KE02060204	POIGNEE RELEVAGE ZN	LIFT HANDLE	1
5	KE02060203	LEVIER DE RELEVAGE ZN	WORK LEVEL SELECTION TOOL	1
6	KE02030208	PLAQUE REGLAGE MANCHERON ZN	HANDLEBAR BASE UPSIDE	1
7	KE02030207	PLAQUE DE SERRAGE MANCHERON INFERIEUR ZN	HANDLEBAR BASE DOWNSIDE	1
8	KE02021401	PORTE ROUE AVANT GRIS FONCE	DARK GREY FRONT WHEEL SUPPORT	2
8	KE02021101	PORTE ROUE AVANT GRIS CLAIR	LIGHT GREY FRONT WHEEL SUPPORT	2
9	KE02020201	PLAQUE SUPPORT PORTE ROUE	PLATE FOR FRONT WHEEL SUPPORT	4
10	KE02010206	CHAPE ROUE DROITE ZN	RIGHT AXLE FRONT WHEEL	1
11	KE02010202	CHAPE DE ROUE GAUCHE ZN	LEFT AXLE FRONT WHEEL	1
12	K503000042-	ETIQ "PRECAUTIONS EMPLOI"	"Safety instructions" label	1
13	K503000041	AUTOCOLLANT COMMANDE DE FREIN	STICKER "BRAKE LEVER"	1
14	K503000023-	AUTOCOLLANT HAUTEUR DE COUPE	STICKER "WORK LEVEL"	1
15	K341000037	EMBOUT M NOIR 24 x 5 lg 100	BLACK END CAP	1
16	K341000004	BOULE PLASTIQUE DIAM 8	END PIECE Ø 8	2
17	K309000008	ROUE DE 200	FRONT WHEEL	2
18	K307010006	POIGNEE DEBRAYABLE M10	HANDLE FOR HANDLEBAR LEVEL SELECTION	1
19	K305020003	RESSORT DE COMPRESSION	COMPRESSION SPRING	2
20	K302020017	ENTRETOISE ARTICULATION	ROUND SPACER	2
21	K302010023	AXE EPAULE INDEXAGE MANCHERON	INDEX AXLE	1
22	K302010012	AXE DE POSITIONNEMENT	POSITION AXLE	1
23	K302000001	RONDELLE PROTECTION AXE ROUE AVANT	PROTECT WASHER	4
24	K301100002	GOUPILLE V FENDU 3.2 x 20	PIN	1
25	K300440801	RONDELLE AZ 8	WASHER AZ 8	4
26	K300431002	RONDELLE CONTACT LARGE DE 10	WASHER D 10	1
27	K300431001	RONDELLE CONTACT M 10	WASHER M10	8
28	K300401203	RONDELLE PLATE 24 x 12.5 x 0.5 ZN	WASHER 24 X 12.5 X 0.5	1
29	K300260801	ECROU H M8 EMB CR	NUT H M8 NOTCHED SHOULDER	3
30	K300231201	ECROU MK 12 ( crénelé )	NUT MK 12	1
31	K300201001	ECROU HU M10	NUT HU M10	6
32	K300200801	ECROU HU M8	NUT HU M8	4
33	K300081002	BOULON TRCC 10 x 20	SCREW TRCC 10 x 20	4
34	K300011013	VIS TH 10 x 60 ZN	SCREW H 10 X 60	2
35	K300010824	VIS H 8 x 55	SCREW H 8 X 55	4
36	K300010814	VIS H M8 x 16	SCREW H M8 X 16	4
37	K300010802	VIS EMB CR 8 x 20	SCREW H NOTCHED SHOULDER 8 X 20	2
38	K300010801	VIS H EMB CR 8 x 25	SCREW H NOTCHED SHOULDER 8 X 25	1
39	K300010601	VIS H 6 x 16 EMB CR	SCREW H NOTCHED SHOULDER 6 X 16	1
41	0503000006	AUTO-COLLANT DANGER LAME 78 X	Label "danger sticker"	2
42	0340000002	ATTACHE IMP D6 EP2.5 L15	Captive fastener for screw 4.2	6
43	0306030096	COURROIE XPA1107	BELT	1
44	0300410602	RONDELLE SPECIALE 6,3X19 X2,5Z	SPECIAL WASHER 6,3 x 19 x 2,5Z	1
45	0300080405	VIS TOLE TETE POELIER D11	SCREW POZI 4.2X16Z	6



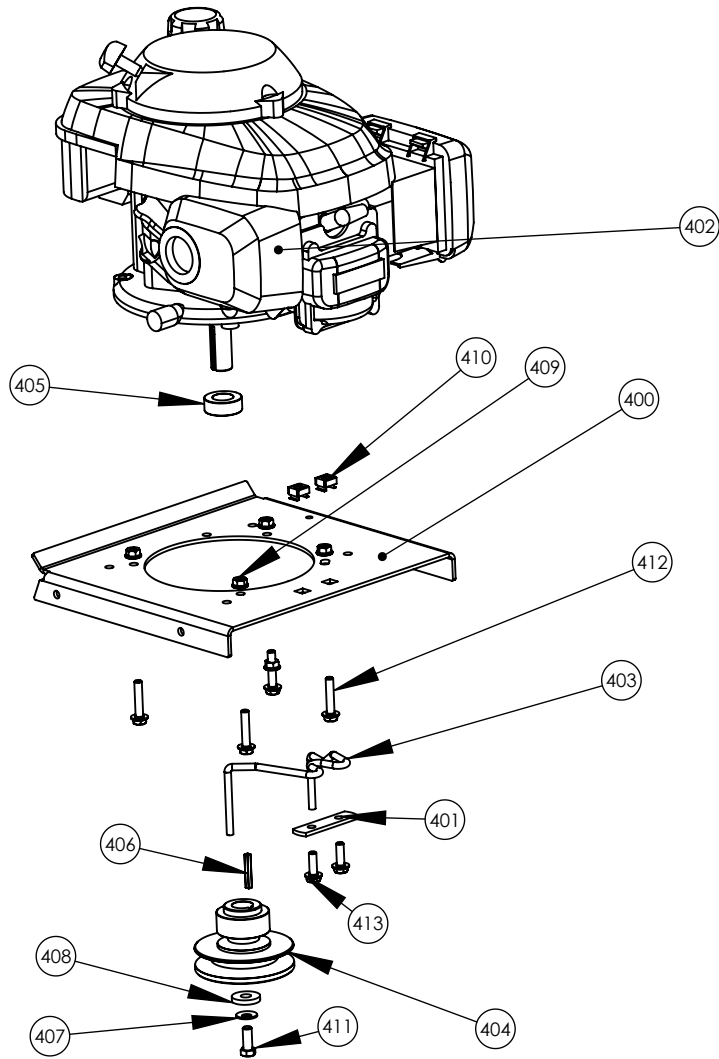
Rep N°	Ref	Désignation	Description	Hon da	B&S	SUB	RV 225
100	KM02011002	TUBE LIAISON GUIDON GRIS ALU	HANDLEBAR ALU GREY LINK TUBE	1	1	1	1
101	KE02061001	MANCHERON GRIS ALU	GREY HANDLEBAR	1	1	1	1
102	K503000058-	AUTOCOLLANT SELECTION VITESSE	STICKER " SPEED SELECTION"	1	1	1	1
103	K503000005-	AUTOCOLLANT ACCELERATEUR STOP + STARTER	STICKER "SPEED VARIATION" WITH STARTER	1	-	-	-
104	K341000030	CAPUCHON PLASTIQUE Ø8	CAP Ø8	4	4	4	4
105	K308020036	CABLE EMBR DE LAME	BLADE CLUTCH CABLE	1	1	1	1
106	K308010048	CABLE MAR	REVERSE CABLE	1	1	1	1
107	K308010047	CABLE EMBR AVANCE	FORWARD CABLE	1	1	1	1
108	K307020015	MANETTE VAR. VITESSE x	Locking throttle LGK07FK40	1	1	1	1
109	K307020010	POIGNEE GAZ	THROTTLE LEVER	1	1	-	1
110	K307020005	POIGNEE CAOUTCHOUC DIAM 25	GRIP	2	2	2	2
111	K307010036	LEVIER EMBR DE LAME	CLUTCH LEVER	1	1	1	1
112	K300080607	BOULON TRCC 6 x 55	SCREW TRCC 6 X 55	1	1	1	1
113	K300080603	BOULON TRCC 6 x 45	SCREW TRCC 6 X 45	1	1	-	1
114	K300020808	VIS BHC 8x50 CL10.9 ZN DEG	SCREW BHC 8x50 CL10.9 ZN DEG	2	2	2	2
115	0308040054	CABLE GAZ x1350 xLF60 Z0°	Throttle cable Lg 1350mm S60	1	-	-	1
116	0308010028	CABLE VARIATION VITESSE	VARIATION SPEED CABLE	1	1	1	1
117	0307020034	MANETTE MAR 65°	REVERSE LEVER	1	1	1	1
118	0307020032	MANETTE MAV LMS45CB00-MB0	FORWARD LEVER	1	1	1	1
119	0300210602	ECROU FREIN M 6 Z DIN 985-8	BLOCKING NUT M 6 Z	2	2	1	2
120	K308040011	CABLE COMMANDE DES GAZ	THROTTLE CABLE	-	1	-	-
121	K503000031-	AUTOCOLLANT ACCELERATEUR STOP SANS STARTER	STICKER "ENGINE SPEED VARIATION" WITHOUT STARTER	-	1	-	1
122	K330030202-	SWITCH MOTEUR SUBARU	SWITCH SUBARU ENGINE	-	-	1	-



Rep N°	Ref	Désignation	Description	Qté
200	KE02061606	CAPOT ARRIERE NOIR	BLACK BACK COVER	1
201	KE02061604	CAPOT ARR SUP NOIR	BLACK SUPERIOR BACK COVER	1
202	KE02061602	TOLE CHASSIS INF NOIRE	BLACK LOWER FRAME	1
203	KE02061601	SUPPORT MANCHERON NOIR	BLACK HANDLEBAR SUPPORT	1
204	KE02060602	FLANC GAUCHE ROUGE	RED LEFT CARTER	1
205	KE02060601	FLANC DROIT ROUGE	RED RIGHT CARTER	1
206	KE02060202	CREMAILLIERE PLIEE ZN	CUT ADJUST LEVEL RACK	1
207	KE02061605	TRAPPE CAISSON INF NOIR	BLACK LOWER COVER	1
208	KE02061607	CAPOT TOLE POTENCE NOIR	BLACK BRACKET COVER	1
209	K301000005	PASSE FIL	WIRE PROTECT	1
210	K300431001	RONDELLE CONTACT M 10	WASHER M10	4
211	K300261001	ECROU H M10 EMB CR	NUT H M10 NOTCHED SHOULDER	4
212	K300260601	ECROU H M6 Z EMB CR	NUT H M6 Z NOTCHED SHOULDER	4
213	K300230601	ECROU RAPID M 6 C 4806B	NUT RAPID M6 C 4806B	4
214	K300090603	VIS SPIRAFORM 6 x 16	SCREW SPIRAFORM 6 X 16	10
215	K300010830	VIS H 8 x 16 EMB CR	SCREW H 8 x 16 NOTCHED SHOULDER	4
216	K300010601	VIS H 6 x 16 EMB CR	SCREW H NOTCHED SHOULDER 6 X 16	8
217	5201000002	TRANSMISSION MODULAIRE V2 ES	MODULAR TRANSMISSION	1
218	0341000152	PASSE CABLE POUR TOLE EP 1.5	WIRE PROTECT	3
219	0341000138	BOUCHONS ETANCHEITE GPN 915	CAP Ø25-27	10
220	0341000115	SILENTBLOC ORIENTATION GUIDON	SILENTBLOCK	4
221	0304000679	TOLE ARRET GAINÉ BV	SHEATH STOP SHEET	1
222	0304000675	EQUERRE TENSION COURROIE	BELT TENSION ANGLE	2
223	0300090807	VIS H 8x16 Z EMB CR	SCREW H M8x16 Z	14
224	0300210604	ECROU FREIN M6 EMB LISSE	BLOCKING NUT M6 SMOOTH SHOULD	2
225	0300021003	VIS CHC M10x12 CL8.8 ZN	Screw CHC M10x12 z	4



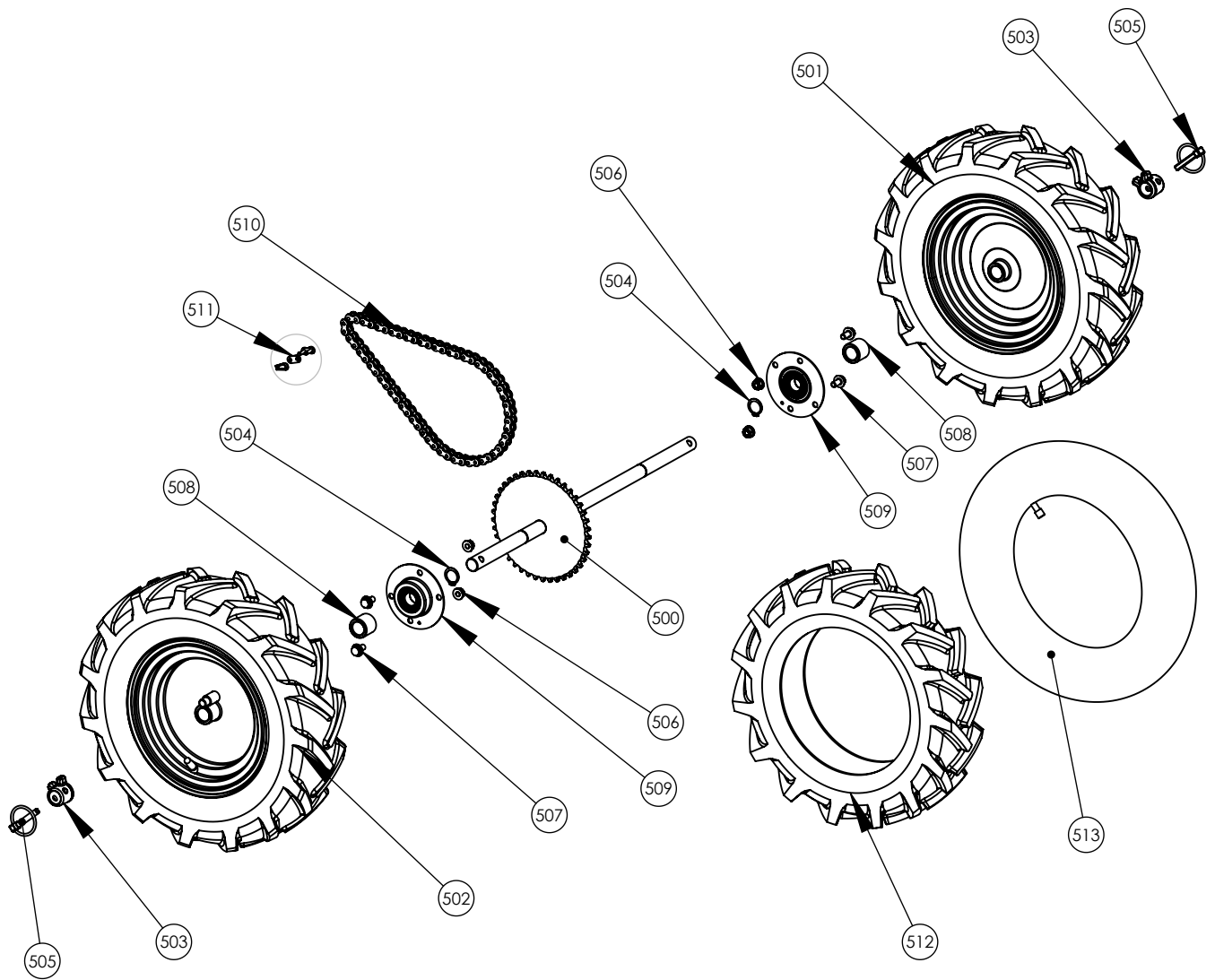
Rep N°	Ref	Désignation	Description	Qté
300	KP02011603	EJECTEUR NOIR	BLACK VENTILATING PLATE	1
301	KP02010208	PLATINE EMBRAYAGE ZN	CLUTCH SUPPORT	1
302	KN02011903	TÔLE ENDAINEUR GRIS RAL 7021	GREY RAL 7021 SIDE DEFLECTOR	1
303	KN02011902	BANDEAU TONDEUSE GRIS RAL 7021	GREY RAL 7021 FRONT DEFLECTOR	1
304	KM04020001	GARNITURE DE FREIN	BRAKE	1
305	KM02020205	RONDELLE PLATE 6.2 x 25 x 2 ZN	WASHER 6.2 x 25 x 2	1
306	KM02020204	LEVIER PORTE FREIN	BRAKE LEVER	1
307	KM02020203	PLAT GALET DE TENSION	PLATE OF CLUTCH RUNNER	1
308	KM02020202	LEVIER EMBR DE LAME	CLUTCH LEVER	1
309	KE03020001	GALET GORGE PLATE LARGEUR 24	RUNNER	1
310	KE02061901	COUPOLE GRIS ANTHACITE RAL7021	BLADE GUARD RAL 7021	1
311	K320020031	LAME DE 530	BLADE 530 MM	1
312	K306010043	ROULEMENT 2RS 6 x 19 x 6	BEARING 1 2RS 6 x 19 x 6	1
313	K306010032	ROULEMENT 6006 2 RS	BEARING 6006 2 RS	2
314	K305030019	GUIDE COURROIE	BELT GUIDE	1
315	K305010028	RESSORT DE RAPPEL	SPRING	1
316	K305010022	RESSORT DE RAPPEL	SPRING	1
317	K302030067	PALIER COUPELLE	Blade guard bearing	1
318	K302020111	ENTRETOISE 8 x 14 x 7.3	RUNNER SPACER	2
319	K302020110	ENTRETOISE 6.2 x 10 x 3	SPACER 6.2 x 10 x 3	1
320	K302020109	ENTRETOISE 12.2 x 20 x 8	RUNNER SPACER	2
321	K302020108	ENTRETOISE 50x30x35.5	SPACER 50x30x35.5	1
322	K302010117	ARBRE LAME	BLADE SHAFT	1
323	K301070014	CIRCLIPS INTERIEUR DE 55 DIN	CIRCLIPS INT 55 DIN	2
324	K301040014	CLAVETTE 5 x 5 x 30	KEY 5 X 5 X 30	1
325	K301000015	RIVET INOX A2 4.8x12	RIVET STAINLESS STEEL 4.8x12	4
326	K301000011	RIVET ALU / ACIER TP 4 x 12	RIVET ALU / STEEL TP 4 X 12	2
327	K300601201	RIVKLE BOLLHOF M12 HEXA	RIVKLE BOLLHOF M12	1
328	K300441001	RONDELLE EVENTAIL AZ 10 ZN	WASHER AZ 10 ZN	2
329	K300431201	RONDELLE CONTACT M12 NFE 25-511 ZN	Elastic washer 12 Bic	1
330	K300430801	RONDELLE CONTACT M8	WASHER M8	6
331	K300401103	RONDELLE PLATE 30 x 11 x 5 ZN	WASHER 30 X 11 X 5 ZN	1
332	K300400803	RONDELLE PLATE 28 x 8 x 3 ZN	PLATE WASHER 28 X 8 X 3	3
333	K300400801	RONDELLE PLATE ZN 8 x 20 x 3	WASHER 8 x 20 x 3	1
334	K300400602	RONDELLE PLATE 14 x 6 x 1.2 ZN	WASHER 14 x 6 x 1.2 ZN	1
335	K300261001	ECROU H M10 EMB CR	NUT H M10 NOTCHED SHOULDER	4
336	K300230802	ECROU ' RAPID' DE 8 C 4808 B	NUT RAPID M8 C 4808B	2
337	K300220802	ECROU BORGNE M8	NUT M8	5
338	K300211001	ECROU FREIN M10	BLOCKING NUT M10	2
339	K300210801	ECROU FREIN H M8	NUT,NYLOC M8	2
340	K300090804	VIS A GAUCHE 8 x 25	SCREW Z 8 X 25	1
341	K300090603	VIS SPIRAFORM 6 x 16	SCREW SPIRAFORM 6 X 16	2
342	K300011213	VIS H12 x 50	SCREW H 12 X 50	1
343	K300011210	VIS TH 12 x 25 BRUT 10.9	SCREW TH 12 X 25 10.9 BRUT	1
344	K300011026	VIS H 10 x 30 EMB CR	Screw HM 10x30 Z Emb cr	4
345	K300011009	VIS TH 10 x 25 ZN	SCREW TH 10 X 25 ZN	2
346	K300010830	VIS H 8 x 16 EMB CR	SCREW H 8 x 16 NOTCHED SHOULDER	4
347	K300010817	VIS TH 8 x 25 ZN	SCREW TH 8 X 25 ZN	2
348	K300010614	VIS TH 6 x 25 ZN	SCREW TH 6 X 25	1
349	5504000032	RONDELLE PROTEC ARBRE COUP	Cup shaft protection washer	1
350	0306060012	POULIE COUPELLE L/GT/GTP		1
351	0306030099	COURROIE DE LAME LB40	BLADE V-BELT LB40	1
352	0302020043	RONDELLE LAME EP8 ZN	Spacer 40 x 30,5 x 8	1
353	0302020041	RONDELLE DE SERRAGE	Blocking washer	1
354	0300210602	ECROU FREIN M 6 Z DIN 985-8	BLOCKING NUT M 6 Z	1
355	0300010816	VIS H 8x20 Z EMB CR	SCREW H M8X20 Z	3



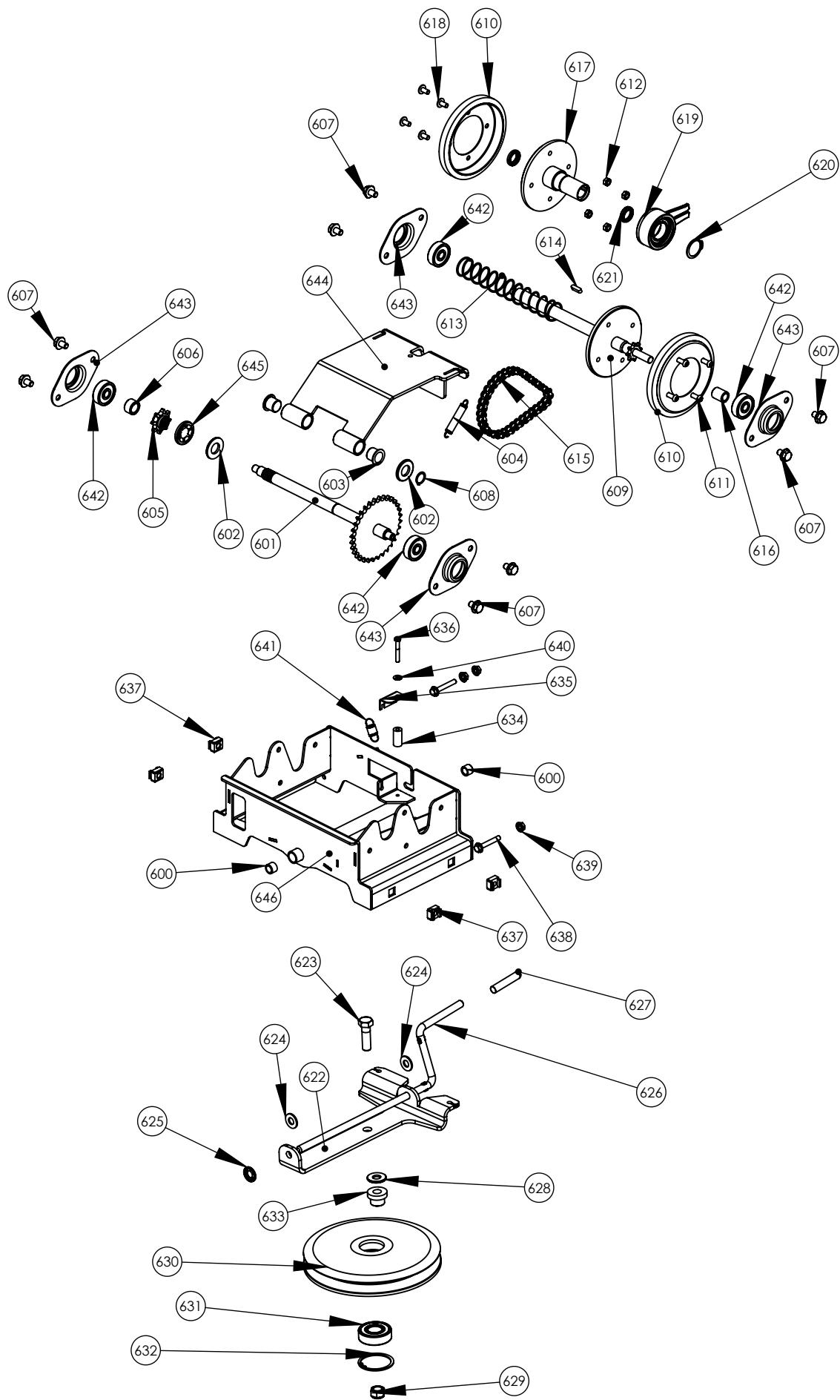
Rep N°	Ref.	Désignation	Description	RV225	SUBARU EA190V	HONDA GSV190	Honda GCVX 200	B&S 850 SERIES
400	KE02061603	SUPPORT MOTEUR NOIR	BLACK MOTOR SUPPORT	1	1	1	1	1
401	KE02020211	PLAT FIXATION PLAQUE DE DEB FIL LASER	BELT GUIDE PLAT FIXATION	1	1	1	1	1
402	K330010104	MOTEUR HONDA GSV190 SANS FREIN*	ENGINE HONDA GSV190	-	-	1	-	-
402	K330030106	MOTEUR SUBARU EA190V*	SUBARU ENGINE EA190V*	-	1	-	-	-
402	0330091010	RV225		1	-	-	-	-
402	K330020108	MOTEUR SANS FREIN BS 850 SERIES*	MOTOR WITHOUT BRAKE BS 850 SERIES*	-	-	-	-	1
402	0330011052	HONDA GCVx200 xNOIRx Vol Lourd		-	-	-	1	-
403	K305030018	PLAQUE DE DEBRAYAGE	CLUTCH PLATE	1	1	1	1	1
404	K302030120	POULIE MOTEUR	MOTOR PULLEY	1	1	1	1	1
405	K302020031	ENTRETOISE POULIE MOTEUR HONDA	ROUND SPACER FOR ENGINE PULLEY	-	-	1	1	-
406	K301040002	CLAVETTE B.DROIT 4.76 x 4.76 x 37	KEY 4.76 X 4.76 X 37	1	1	1	1	1
407	K300431001	RONDELLE CONTACT M 10	WASHER M10	1	1	1	1	1
408	K300401103	RONDELLE PLATE 30 x 11 x 5 ZN	WASHER 30 X 11 X 5 ZN	1	1	1	1	1
409	K300260801	ECROU H M8 EMB CR	NUT H M8 NOTCHED SHOULDER	3	5	5	5	3
410	K300230803	ECROU RAPID M8 C 4808 C	NUT RAPID M8 C 4808C	2	2	2	2	2
411	K300060302	VIS TH3/8 UNF1 ZING	SCREW TH 3/8 UNF1 ZN	1	1	1	1	1
412	K300010803	VIS H EMB CR 8 x 40	SCREW H NOTCHED SHOULDER 8 X 40	2	4	4	4	2
412	0300010816	VIS H 8x20 Z EMB CR	SCREW H M8X20 Z	2	-	-	-	-
412	K300010832	VIS TH 8 x 70	SCREW TH 8 X 70	-	-	-	-	1
412	K300430801	RONDELLE CONTACT M8	WASHER M8	-	-	-	-	1
413	K300010801	VIS H EMB CR 8 x 25	SCREW H NOTCHED SHOULDER 8 X 25	2	2	2	2	2

\*Le service après vente : s'adresser au réseau motoriste concerné  
For the engine's spare parts, please contact the motor's retailers network





Rep N°	Ref	Désignation	Description	Qté
500	KE02060201	ESSIEU 41 DENTS	WHEEL SHAFT 51 THEETH	1
501	K309000052	ROUE 4.00x8 GAUCHE	LEFT WHEEL 4.00 x 8	1
502	K309000051	ROUE 4.00x8 DROITE	RIGHT WHEEL 4.00 x 8	1
503	K302000005	BUTEE D'ENTRAINEMENT DE ROUE	3/4 TURN NUT	2
504	K301070006	CIRCLIPS EXTERIEUR DE 20	CIRCLIPS EXT 20	2
505	K301050001	CLIPS DE 8 x 40	CIRCLIPS 8 X 40	2
506	K300260801	ECROU H M8 EMB CR	NUT H M8 NOTCHED SHOULDER	4
507	K300010830	VIS H 8 x 16 EMB CR	SCREW H 8 x 16 NOTCHED SHOULDER	4
508	K302020141	ENTRETOISE	SPACER	2
509	5201020019	PALIER ASSEMBLE D=20	BEARING Ø20	2
510	0306020052	CHAINE ISO 08B-1 57 MAIL 12.7	CHAIN ISO 08B-1 PITCH 12.7 57 CHAIN LINKS	1
511	0001000378	ATTACHE RAPIDE 12.7 N 10.08B	Quick fastener (12.7)	1
512	0309000063	PNEU 400/480 x 8 - 4PR	TIRE 400X8 -4PR	2
513	9501000533	CHAMBRE A AIR 400/480 x 8	INNER TUBE 400/480 x 8	2



Rep N°	Ref	Désignation	Description	Qté
600	0341000145	BAGUE JSM-1014-10	BEARING JSM-1014-10	2
601	0302010225	ARBRE SORTIE TRANS MOD	Output shaft	1
602	0300401601	RONDELLE PLATE M16 17x32x3 NFE	PLATE WASHER M16	2
603	0341000146	PALIER JFM-1618-16	BEARING JFM-1618-16	2
604	0305010040	RESSORT DE RAPPEL	SPRING	1
605	0306050016	PIGNON 8 DTS 12.7 SIMPLE	PIGNON 8 TOOTH 12.7	1
606	0302020259	ENTRET 14X20X11.8	SPACER 14x20x11.8	1
607	0300090809	VIS H 8x12 Z EMB CR	SCREW H M8X12 Z	8
608	0301070024	CIRCLIPS EXTERIEUR 16 / 0437	CIRCLIPS E16	1
609	0302010223	ARBRE VARIATION TRANS MOD	Speed variation shaft	1
610	0306060030	RONDELLE DE FRICTION SURMOULEE	OVERMOLDED FRICTION WASHER	2
611	0300110605	VIS-DIN7985-4.8-TX30-M6X16	Screw Torx M6x16	4
612	0300210602	ECROU FREIN M 6 Z DIN 985-8	BLOCKING NUT M 6 Z	8
613	0305020014	RESSORT VARIATION VITESSE	LOCKING SPRING	1
614	0301040022	CLAVETTE 5x5x18 BTS ROND	KEY 5x5x18 DIN 6885 A	1
615	0306020024	CHAINE ISO 06B-1 PAS 9.525	CHAIN ISO 06B-1 PITCH 9.525	1
616	0302020257	ENTRET 10.5X16X19.8	SPACER 10.5X16X19.8	1
617	0302010101	MOYEU MAV TRANS MOD	FORWARD HUB MODULAR TRANS	1
618	0300110606	VIS-WN7380/2-010.9-TX30-M6X12	Screw Torx M6x12	4
619	0340030043	FOURCHETTE	Modular transmission	1
620	0301070011	CIRCLIPS EXT. DE 25	EXTERNAL RETATING RING 25	1
621	0343020004	JOINT A LEVRE 17X23X4/5 NBR	Lip seal 17x23x4/5 NBR	2
622	5203000003	BALANCIER TRANS MOD PLIE	WALKING BEAM MOD TRANS	1
623	0300011203	VIS H 12 X 40 Z DIN 933/8.8	Screw HM 12x40z	1
624	0300401002	RONDELLE PLATE M 10X22X2 Z	PLATE WASHER M 10X22X2 Z	2
625	0300461001	RONDELLE STARLOCK Ø10	Starlock washer Ø10	1
626	0305030047	MANETTE DE FREIN TRANS MOD V2	BRAKE LEVER	1
627	0341000024	EMBOUT TYPE A -D9 LG 50 NOIR	End piece length: 50	1
628	0300401201	RONDELLE PLATE M 12X27X2.5 Z	PLATE WASHER M 12X27X2.5 Z	1
629	0300211201	ECROU FREIN M 12 Z DIN 985/8	BLOCKING NUT M 12 Z	1
630	0303010002	POULIE OSCILLANTE TRANS MOD	OSCILLATING PULLEY	1
631	0306010035	ROULEMENT 6204 DDU EMQV1	6204 DDU EMQV1 Ball-Bearing	1
632	0301070006	CIRCLIP INTERIEUR 47 DIN472-47	INTERNAL RETAINING RING	1
633	0302010104	AXE DE POULIE OSCILLANTE	Oscillating pulley axle	1
634	0302020258	ENTR 5.2X12X25.2 ZN	SPACER	1
635	5203000004	PLATINE CABLE PLIE	folded cable sheet	1
636	0300010503	VIS H 5 X 35 Z NF EN24014/6.8	SCREW 5x35 Z NF EN24014/6.8	1
637	0300230803	Ecrou cage M8 4808-B-4	NUT RAPID M8	4
638	0300010611	VIS H 6x40 Z EMB CR DIN 6921	SCREW H 6x40 Z DIN 6921	2
639	0300260601	ECROU HM 6 ZEMB CR DIN 6923	NUT H M6 Z NOTCHED SHOULDER	4
640	0300400501	RONDELLE PLATE M 5X12X1 Z	Washer M 5x12x1 Z	1
641	0305010039	RESSORT RAPPEL	SPRING	1
642	0306010050	ROULEMENT 6300 2RS	BALL BEARING 6300 2RS	4
643	0303000047	PALIER ROULEMENT DXT 35 EP 11	BEARING RLT 6300	4
644	5202000206	FREIN TRANS MOD V2	Modular transmission brake	1
645	0300461601	RONDELLE STARLOCK DIA 16	STARLOCK WASHER D16	1
646	5203000007	SUPPORT BV ASSEMBLE V2	ASSEMBLED SUPPORT V2	1