
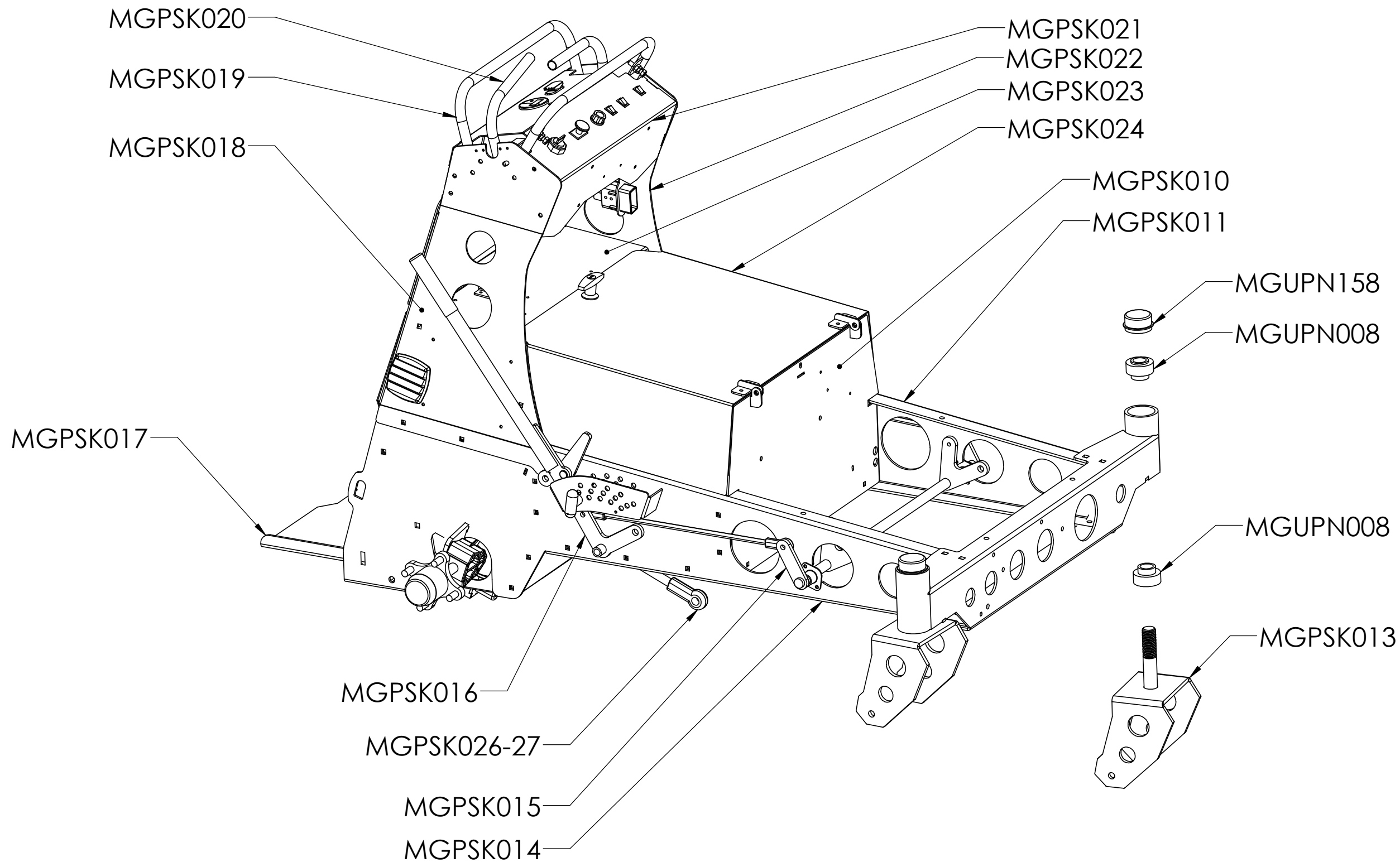

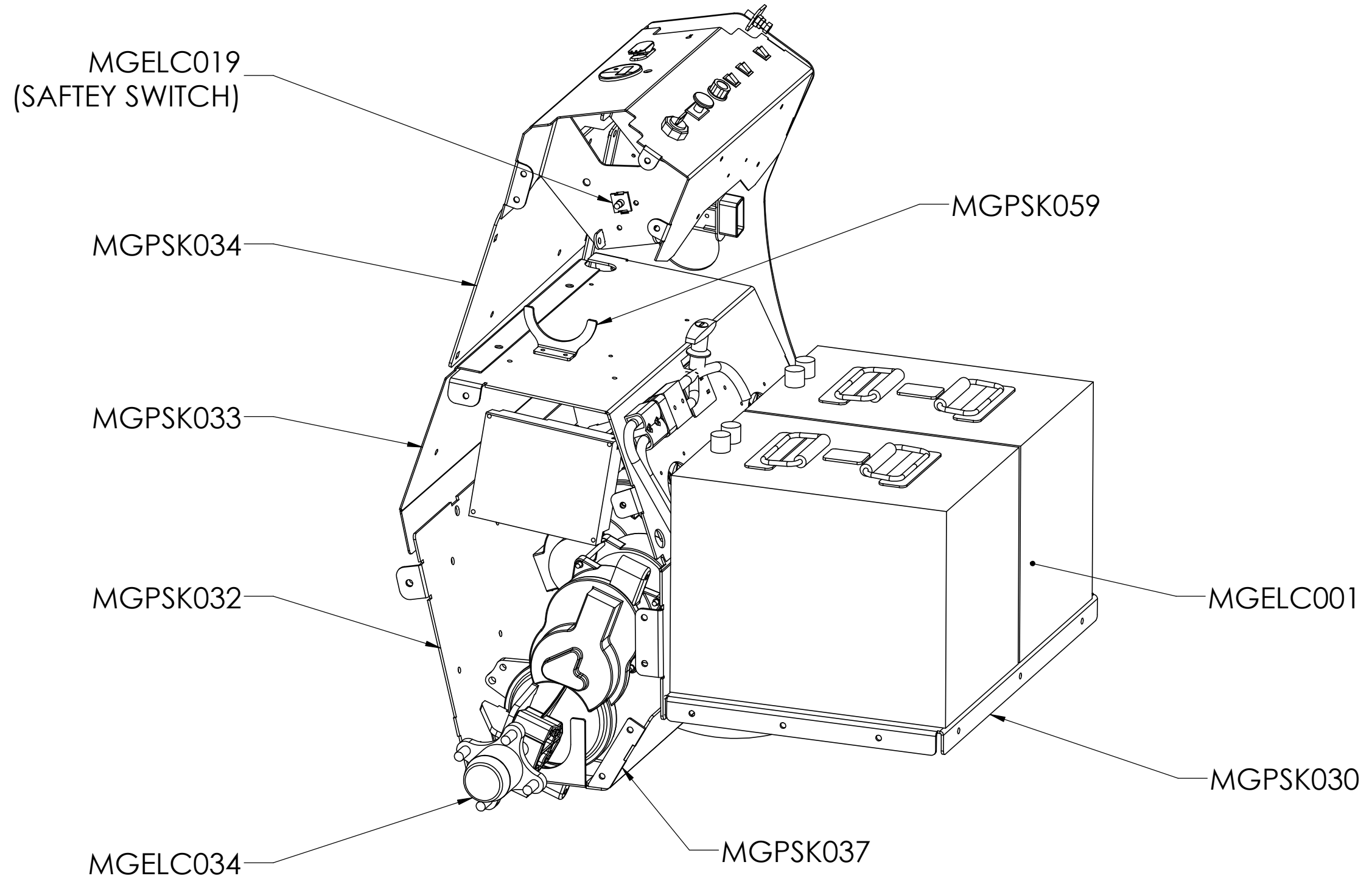



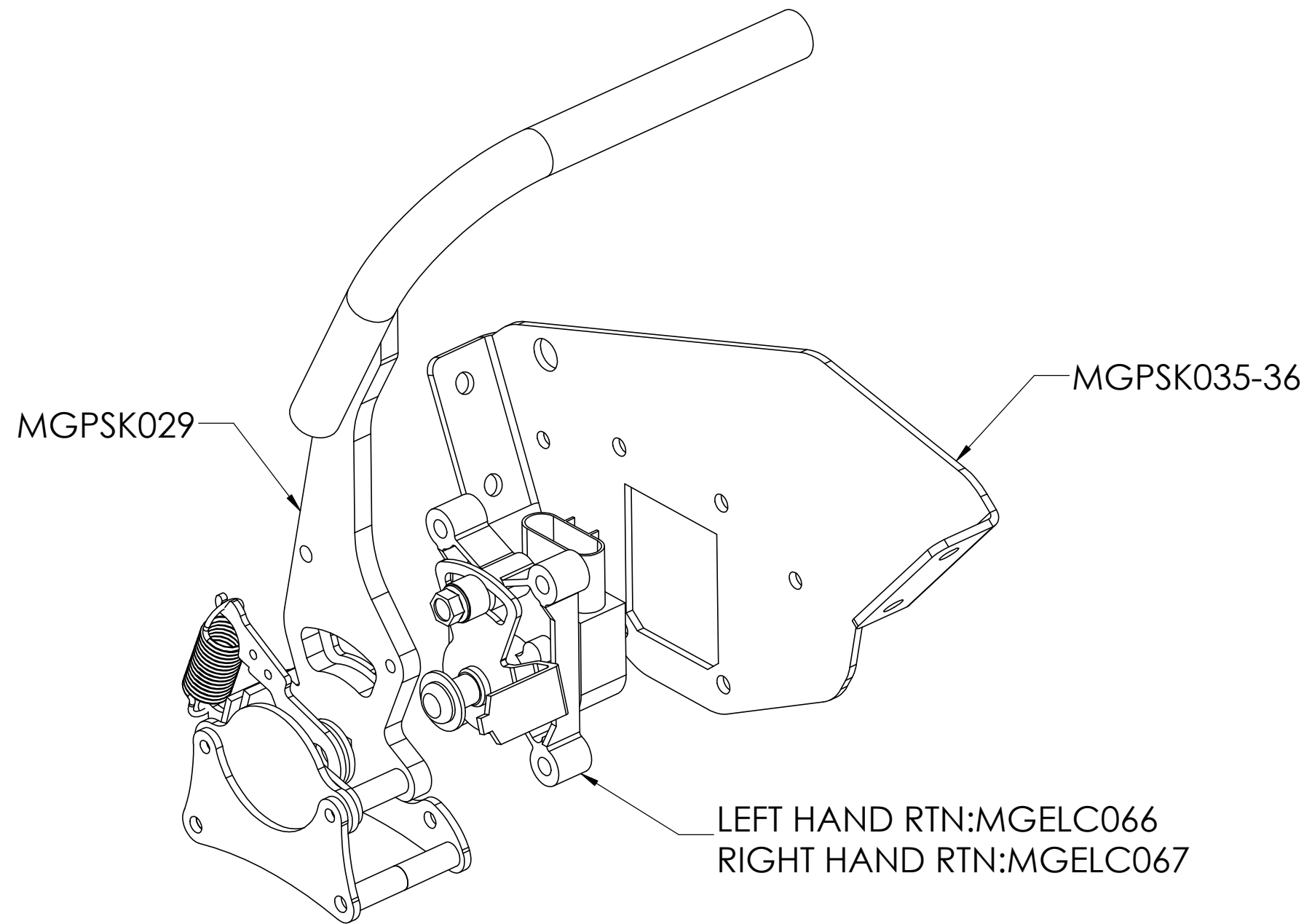
				DRAWN BY	M.HAYES	03/27/19		MADE IN THE U.S.A
				CHECKED BY				
EXTERIOR PARTS							DRAWING NO.	REV.
							MGPSK1301	
X	X			X	X			
REV	DESCRIPTION	DATE	BY					




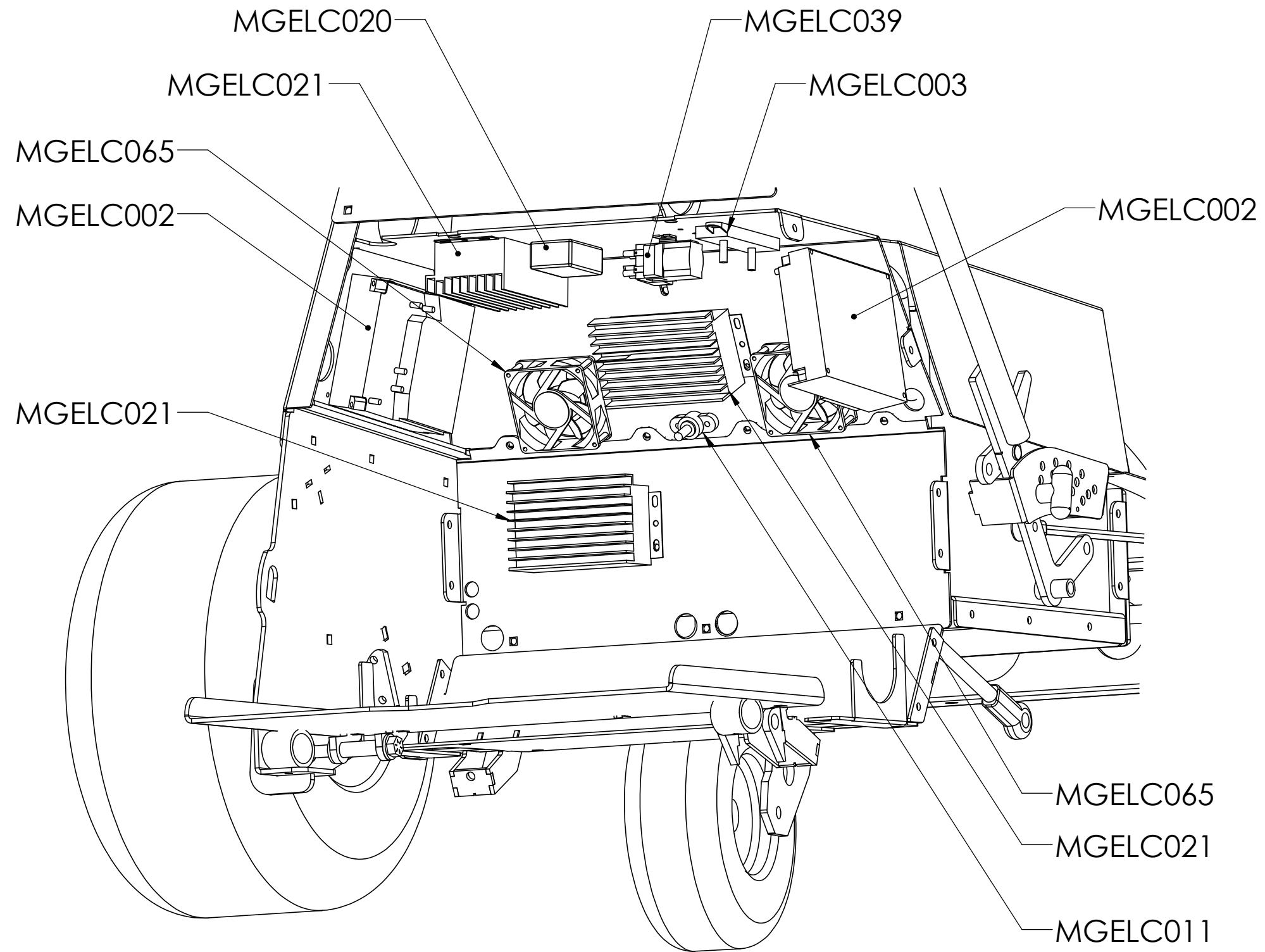
				DRAWN BY	M.HAYES	03/27/19		MADE IN THE U.S.A
				CHECKED BY				
MAIN CHASSIS							DRAWING NO.	REV.
X	X			X	X		MGPSK1302	
REV	DESCRIPTION	DATE	BY					




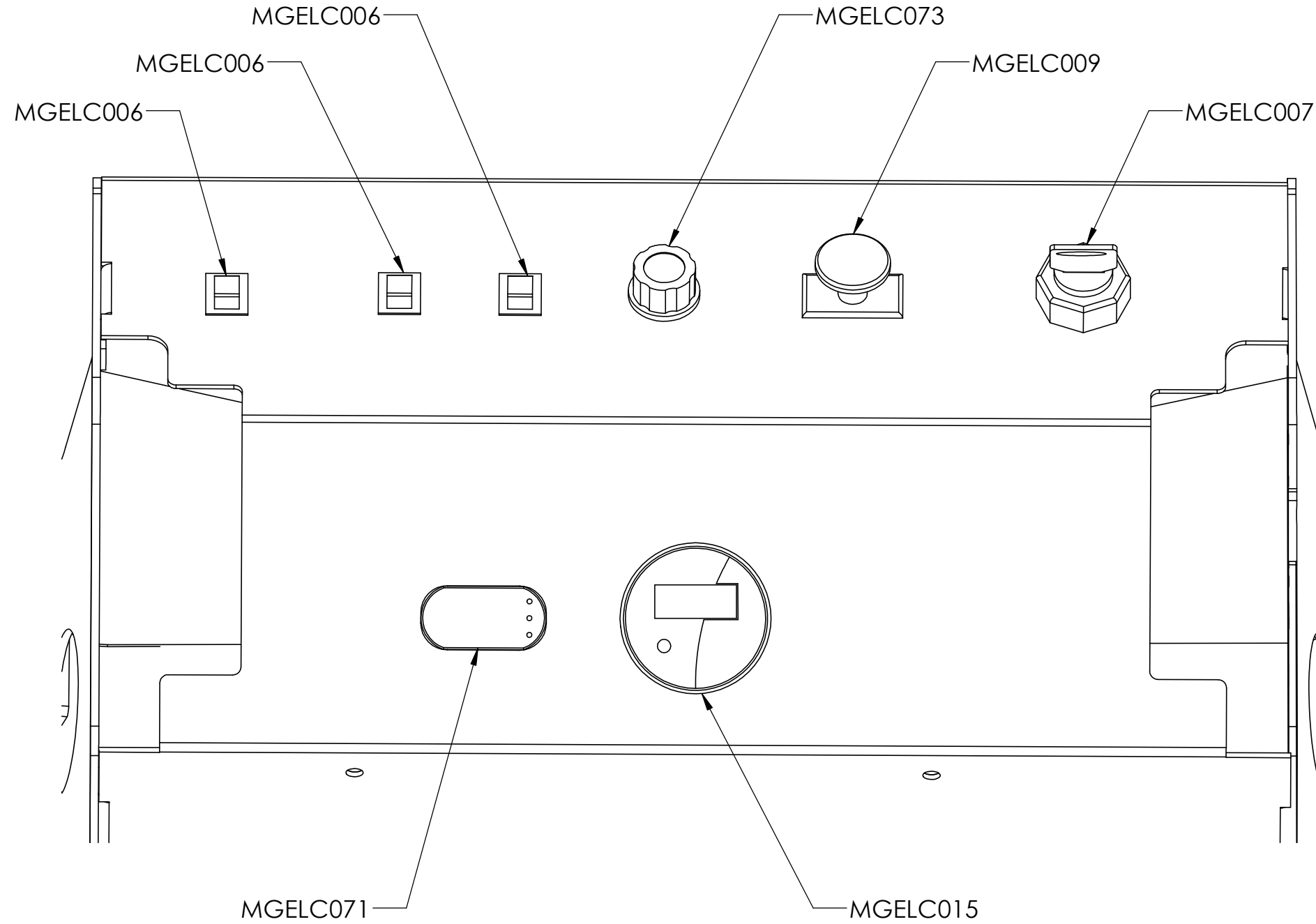
				DRAWN BY	M.HAYES	03/27/19		MADE IN THE U.S.A
				CHECKED BY				
				INNER CHASSIS				
X	X			X	X		DRAWING NO.	REV.
REV	DESCRIPTION	DATE	BY				MGPSK1303	




				DRAWN BY	M.HAYES	03/27/19		MADE IN THE U.S.A
				CHECKED BY				
				RTN CONTROLS				
x	x			x	x		DRAWING NO.	REV.
REV	DESCRIPTION	DATE	BY				MGPSK1308	

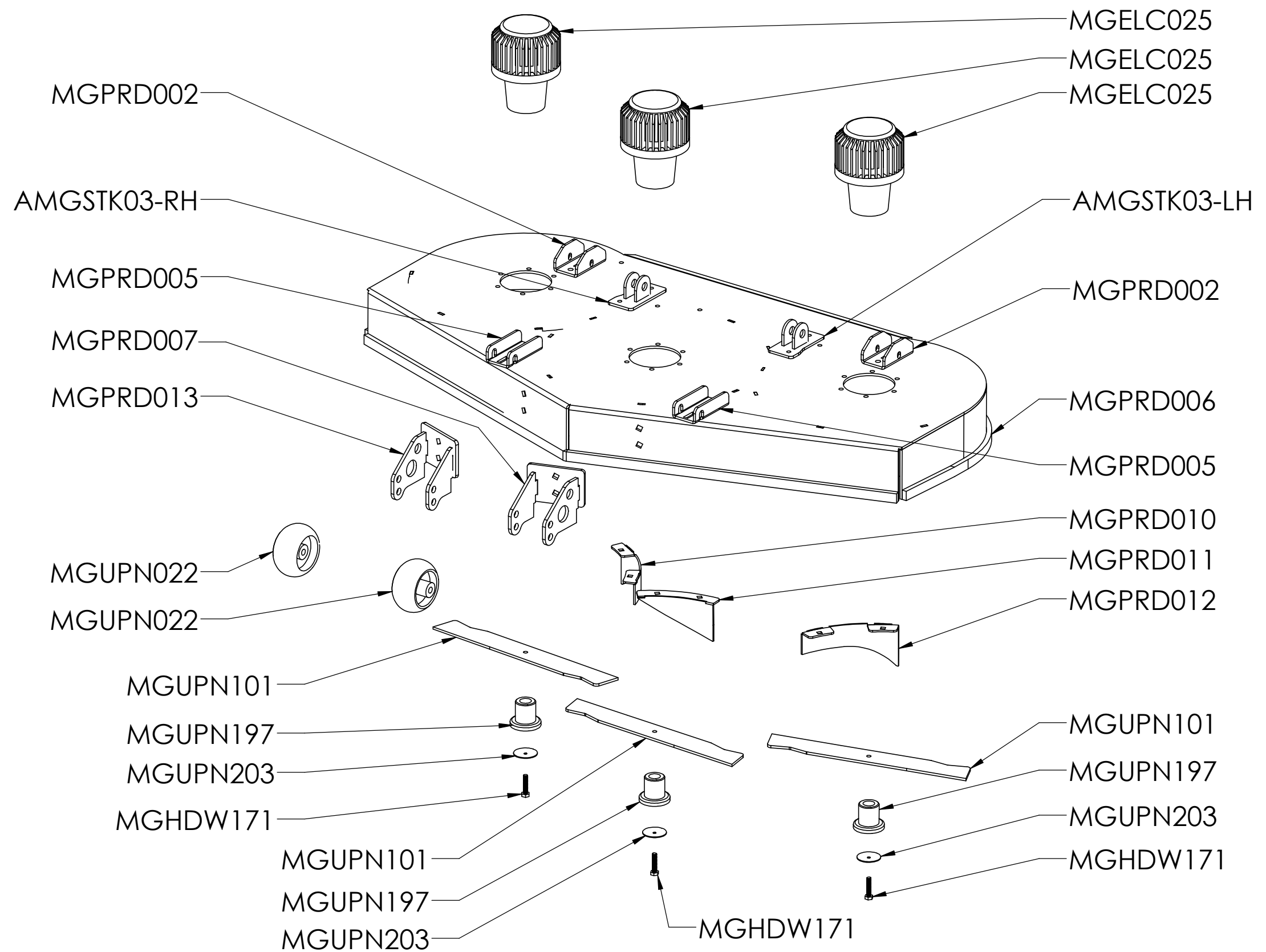



				DRAWN BY	M.HAYES	03/27/19		MADE IN THE U.S.A
				CHECKED BY				
				ELECTRONICS BAY				
X	X			X	X		DRAWING NO.	REV.
REV	DESCRIPTION	DATE	BY				MGPSK1305	

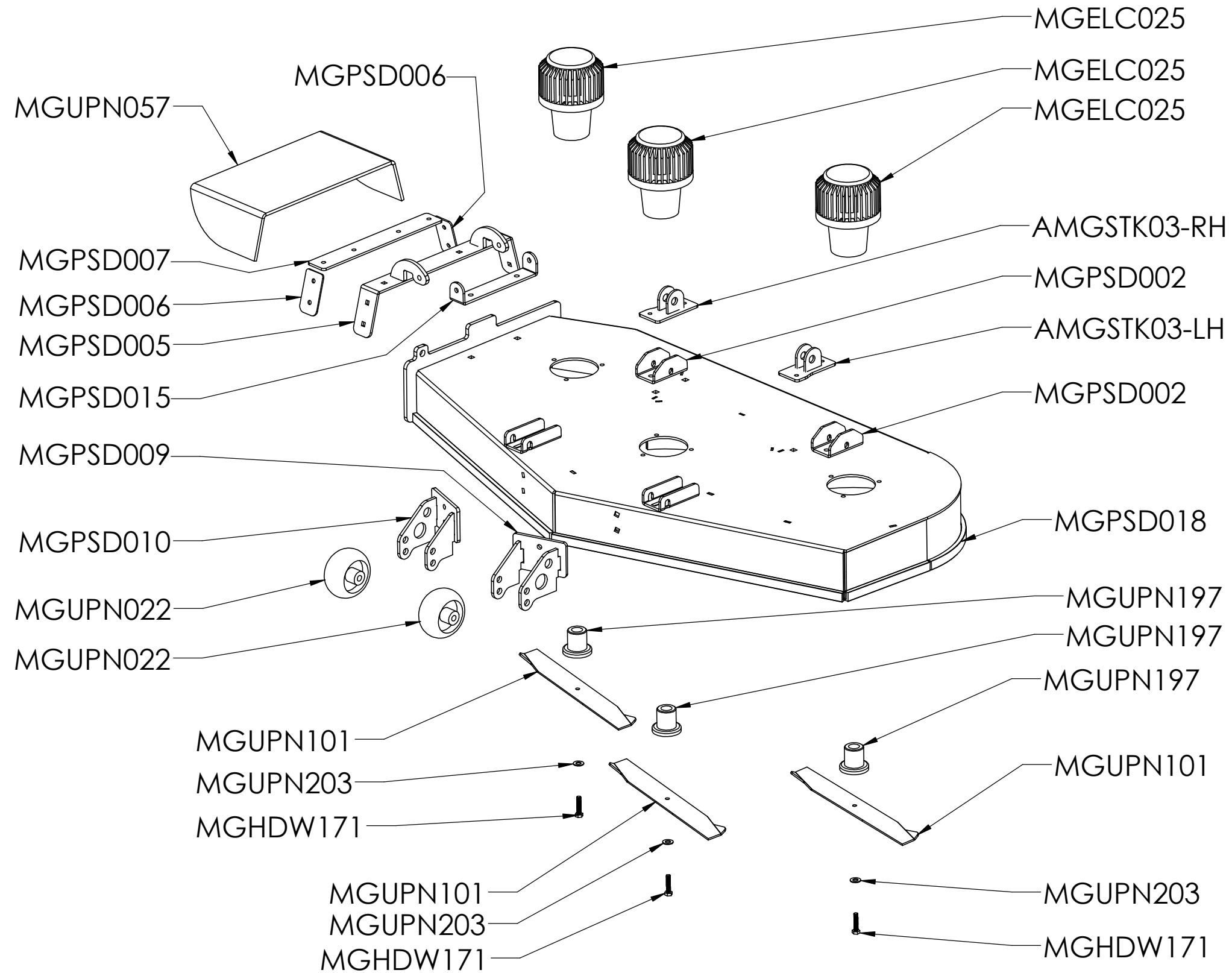



				DRAWN BY	M.HAYES	03/27/19		MADE IN THE U.S.A
				CHECKED BY				
CONTROL PANEL								
X	X			X	X		DRAWING NO.	REV.
REV	DESCRIPTION	DATE	BY				MGPSK1304	





				DRAWN BY	M.HAYES	03/27/19		MADE IN THE U.S.A
				CHECKED BY				
REAR DISCHARGE DECK							DRAWING NO.	REV.
X	X			X	X		MGPRD1306	
REV	DESCRIPTION	DATE	BY					



				DRAWN BY	M.HAYES	03/27/19		MADE IN THE U.S.A
				CHECKED BY				
48" SIDE DISCHARGE							DRAWING NO.	REV.
X	X			X	X		MGPSD1307	
REV	DESCRIPTION			DATE	BY			